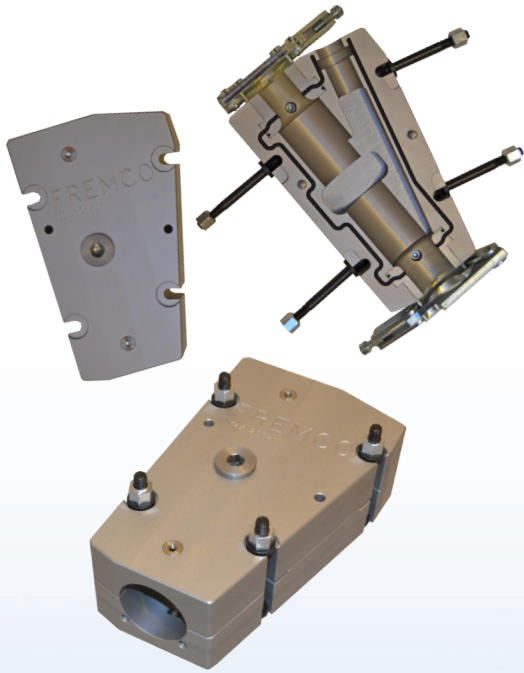


Y-block



The Y-block, used for overblow, can assist you in adding one cable to an existing duct where another cable is installed. Its surface is treated aluminium and it can withstand air/water pressure up to 25 bar.

Specifications

Item no.:	103 - 180726005
Hydraulic Connection:	25 bar
Length:	250 mm
Width:	155 mm
Height:	80 mm
Weight:	5,3 kg*

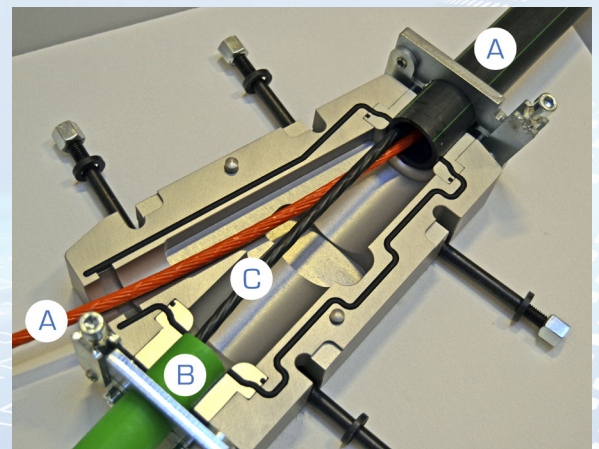
*Without adaptor and duct collect

Don't forget possible add-ons

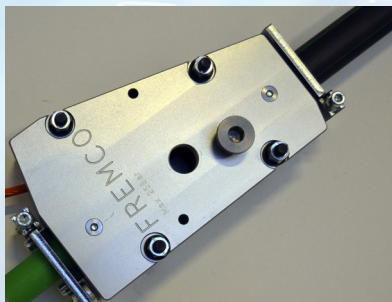
- Adaptor and duct collect set (for inlet and outlet)
- Cable seals (variates from 4 mm to 25 mm)
- Air supply unit item no. 103-190129001

Versatile Adaptors and Ducts

With Fremco's customized duct and adaptors, the Y-Block is more flexible as it can be fitted into different sizes of ducts between 14 mm and 65 mm. This means you can modify both ends of the Y-block to fit each specific overblow.



A) Exiting cable and duct; B) Supply duct; C) New cable



Direct Air Connection

When utilizing the Y-block, especially with smaller Fremco machines, the Y-block is featured with a direct air connection in the lid. The direct connection of air makes it possible to do overblow with fewer steps, saving time for the fiber blowing engineer.

