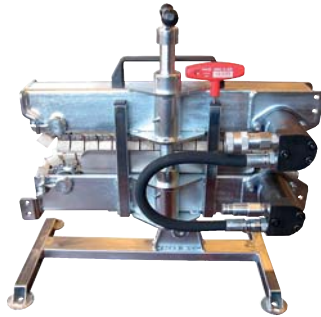
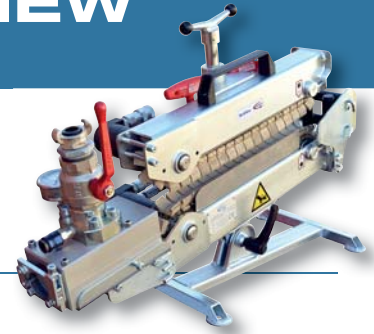
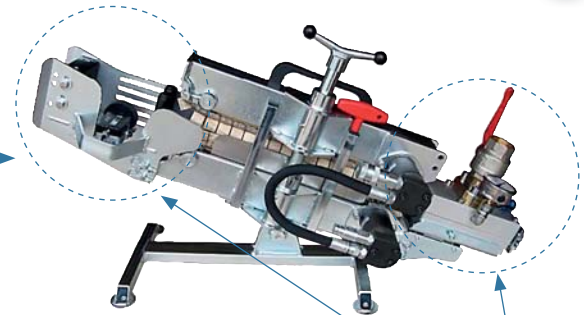


MULTIFLOW SYSTEM OVERVIEW

101-10002 MultiFlow Blowing Machine for relining and single cables.



BASIC Configured with Chains.



Configured machine with both counter-inlet and outlet with Junction Block. Ready to operate.

MULTIFLOW ACCESSORIES

RELINING SETUP (Inlet)

103-11513 U-hanger to nylon guide for microducts.



103-130103001 Relining inlet guide bracket.



103-130103001 Relining inlet guide bracket with nylon guide for microducts 7x10 mm*.



103-10450 Inlet guide with mechanical counter + nylon guide for relining microducts 7x10 mm.



Inlet guide with electronic counter + nylon guide for relining microducts 7x10 mm.



**] Nylon guides for microducts is available in many combinations of dimension and number of ducts.*



RELINING SETUP (outlet):

103-10478
Bracket to fix the
Junction Block to the machine.



103-130424001
Big Flow Blowing
Junction Block
FLEX.



Big Flow Blowing Junction Block FLEX
Open.



103-10255
Open sealing for multiple
microducts 7x10 mm.
Air- and watertight.

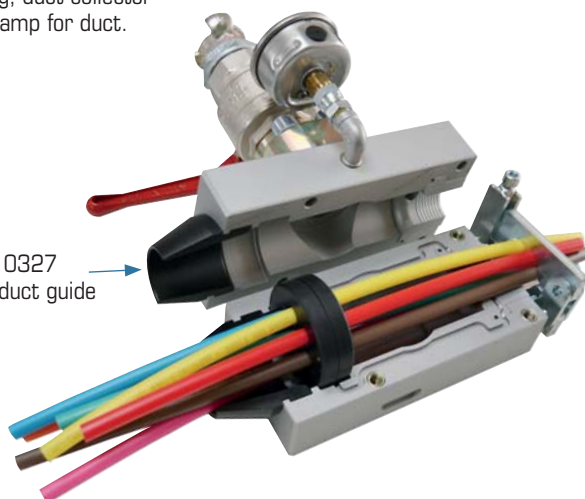


103-10255
Closed sealing for multiple
microducts
with optional plugs.



Big Flow Blowing Junction
Block FLEX
Mounted with microduct guide,
sealing, duct collector
and clamp for duct.

103-10327
Microduct guide



SINGLE CABLE SETUP:

Inlet guides (fits all cable sizes):

103-10080 Basic inlet guide.



103-10450 Inlet guide
with mechanical
meter counter.



103-130917001 Meter counter
FLEX-TRONIC with electronic
meter- and speedcounter.



SINGLE CABLE SETUP - (continuation):

Junction Block:

103-10478
Bracket to fix the
Junction Block to the machine.



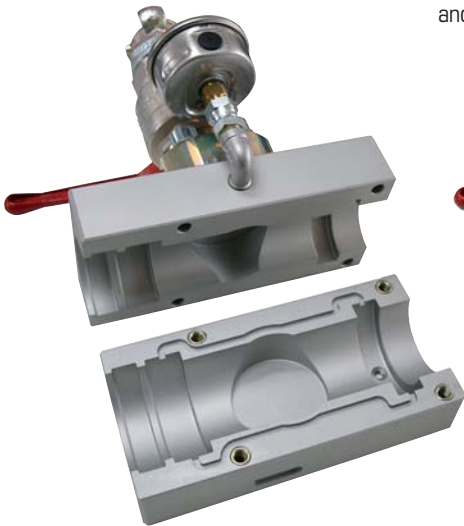
103-130424001
Big Flow Blowing
Junction Block
FLEX.



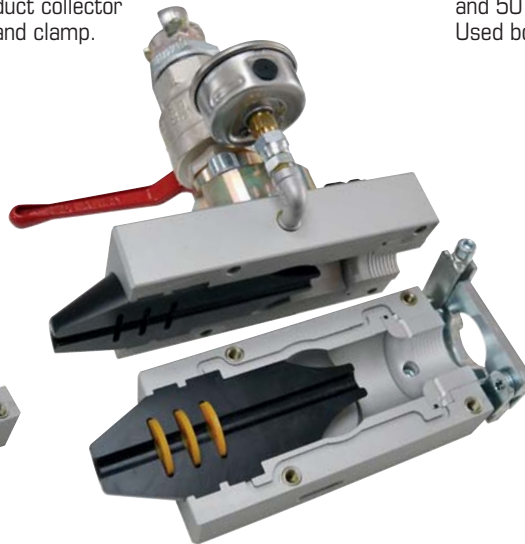
Nylon Seals
Available with drillingsize
12-27 mm (for cable 8-26 mm).



Big Flow Blowing Junction Block FLEX
Open.



Big Flow Blowing Junction Block FLEX.
Mounted with nylon sealings, gaskets,
duct collector and clamp.



Duct collector and clamp (set including sealing)
is available for ducts 18, 20, 25, 32, 40, 42
and 50 mm.
Used both to relining an cable blowing.



Gaskets are available in sizes from 7 mm to 26 mm ID.
Blanks to make special dimensions are also available.

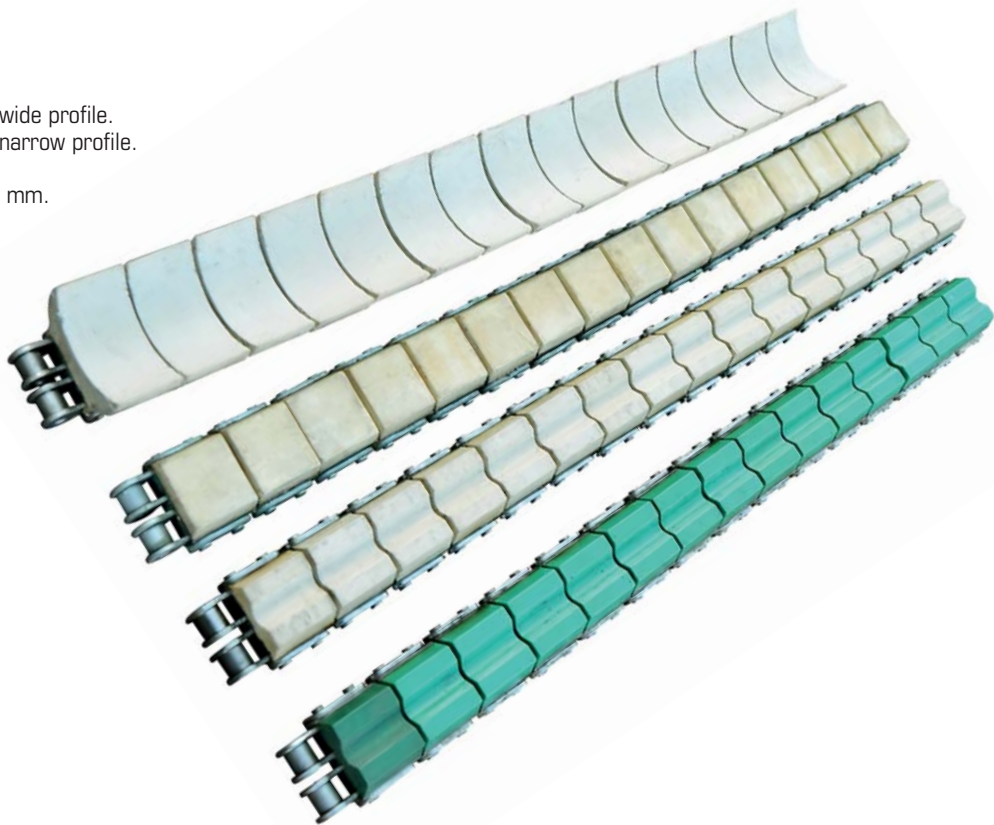


103-20610
Complete box with sealings
8-23 mm. (5 pcs of each size).
Room for nylon seals as illustrated.



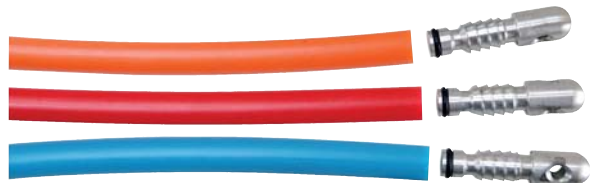
Chains

- 103-20067 Multiflow chain for multiple microducts, wide profile.
- 103-20068 Multiflow chain for multiple microducts, narrow profile.
- 103-20070 Multiflow chain for single cable.
- 103-20355 Multiflow chain for single cable from 5,5 mm.
- 103-20279 Chain Multiflow (3 x 10 mm. pipes).



MULTIFLOW DUCT ACCESSORIES

K10 Plug for 10 mm microtube (aluminium).
(Available for all common sizes microduct).



103-10045 Valve for Microducts 10 mm.
(Available for all common sizes microduct).

